

INSTALLATION MANUAL

PACKING LIST

Frame	pcs
Column, 1500 mm cable	1
Column, 500 mm cable	1
Feet	2
End pipe	2
Outer pipe	4
Connection pipe	2
Cable clamp	8
Rubber grip	4
Rubber washer	18
Hole cap	4

Control box/ handset	pcs
Control box	1
Handset, 1800 mm cable	1
AC cable, 2000 mm	1

Screws	pcs
Screw for rubber grip, M6 x 16 mm, 14 mm head	4
Screw for outer pipe, M6 x 16 mm, 14 mm head	4
Screw for feet, M10 x 16 mm	8
Tailstock for con. pipe, M10 x 20 mm	8
Screw for desktop, Ø5 x 20 mm	14
Screw for handset, Ø4 x 25 mm	2


TIGHTENING TORQUE

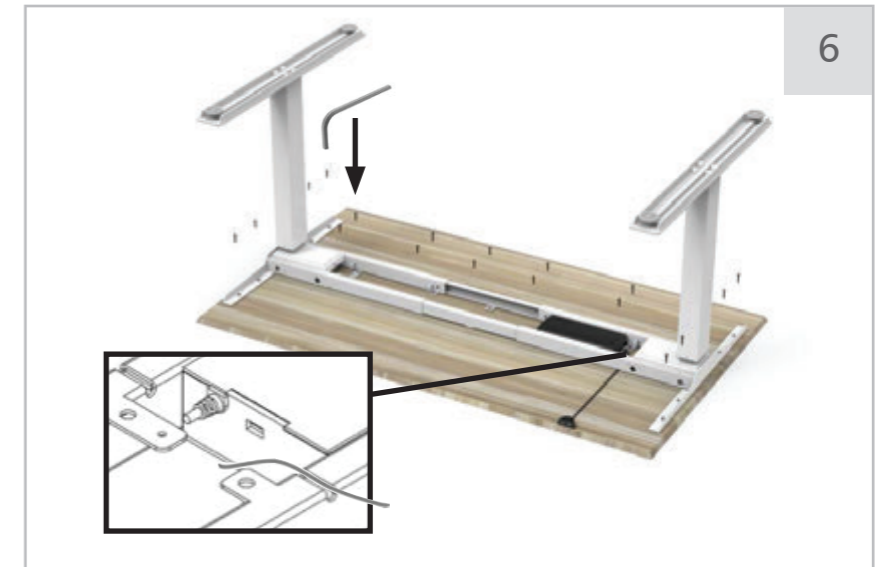
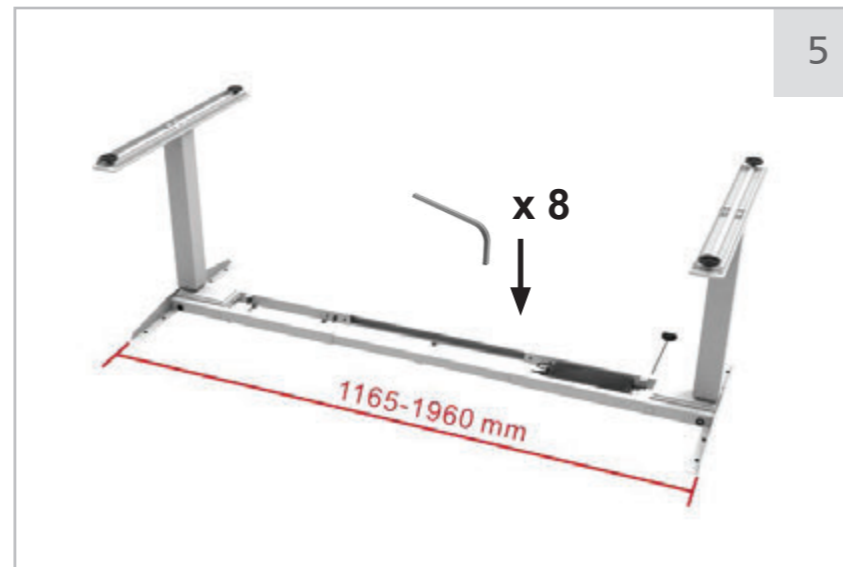
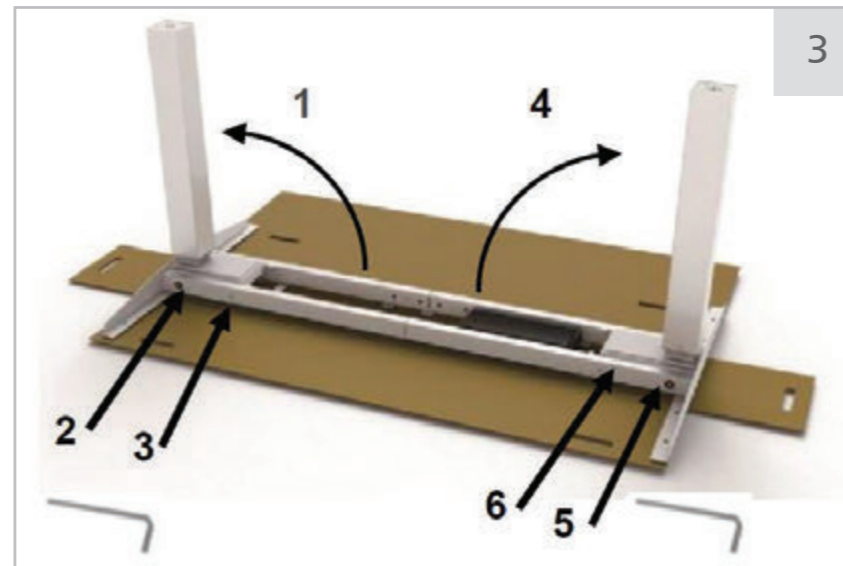
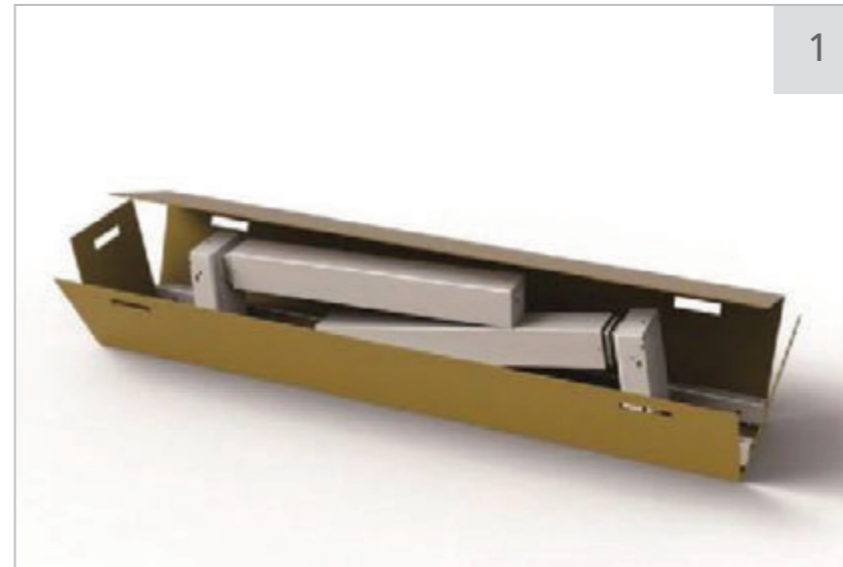
Tailstock: Maximum 6 Nm.

All screws: Maximum 10 Nm.

Make sure all screws including tailstock are tightened, also after a period of use!

RESET THE DESK BEFORE USE

Press both  buttons at the same time for 3 seconds. Continue pressing the buttons until both columns are in lowest position. When finish reset, the control box makes a sound and the buttons can be released. Now the system is operational.



INSTALLATION MANUAL

PACKING LIST

Frame	pcs
Column, 500 mm cable	1
Feet	1
End pipe	1
Outer pipe	2
Connection pipe	2
Cable clamp	6
Rubber grip	2
Rubber washer	10
Hole cap	2

Control box/ handset	pcs
Control box	1
Handset, 1800 mm cable	0
AC cable, 2000 mm	1
Extension cable for control box, 1500 mm	1

Screws	pcs
Screw for rubber grip, M6 x 12 mm, 25 mm head	2
Screw for outer pipe, M6 x 16 mm, 14 mm head	2
Screw for feet, M10 x 16 mm	4
Tailstock for con. pipe, M10 x 20 mm	8
Screw for desktop, M5 x 20 mm	10
Screw for handset, M4 x 25 mm	0


TIGHTENING TORQUE

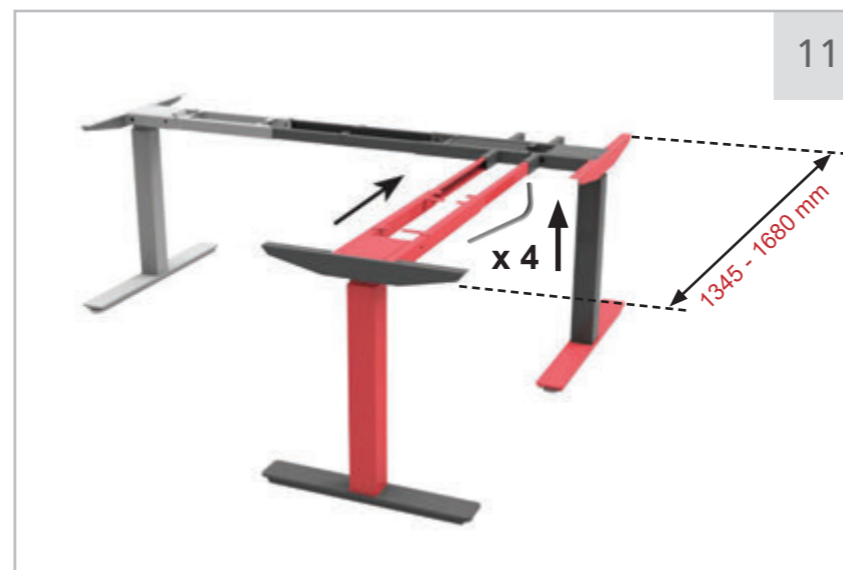
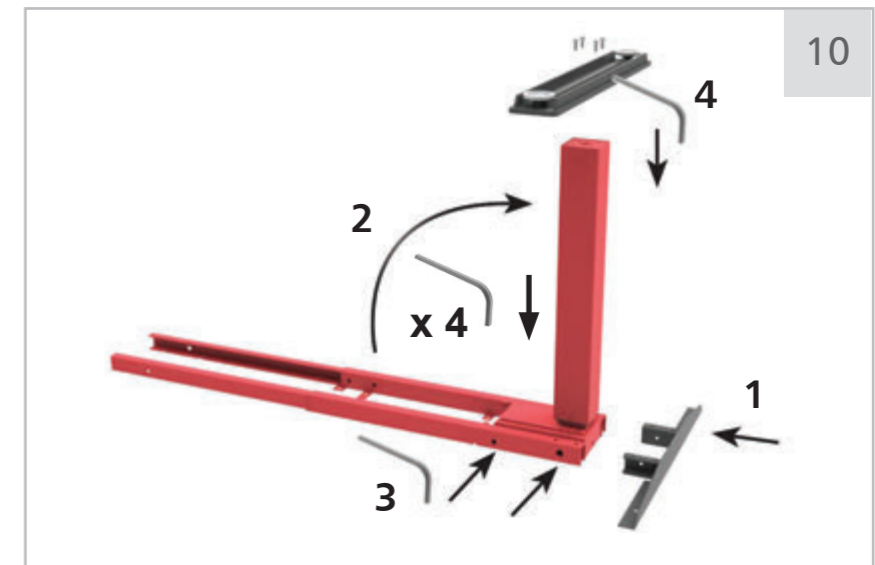
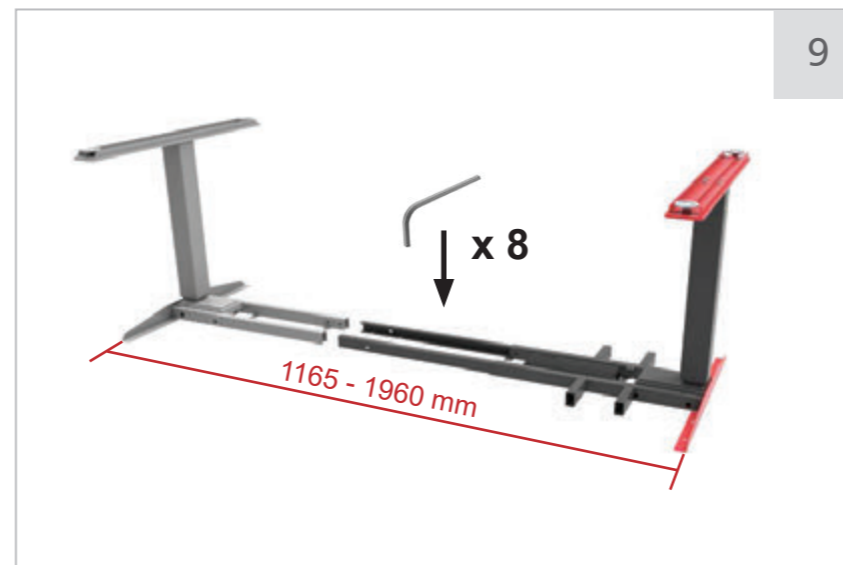
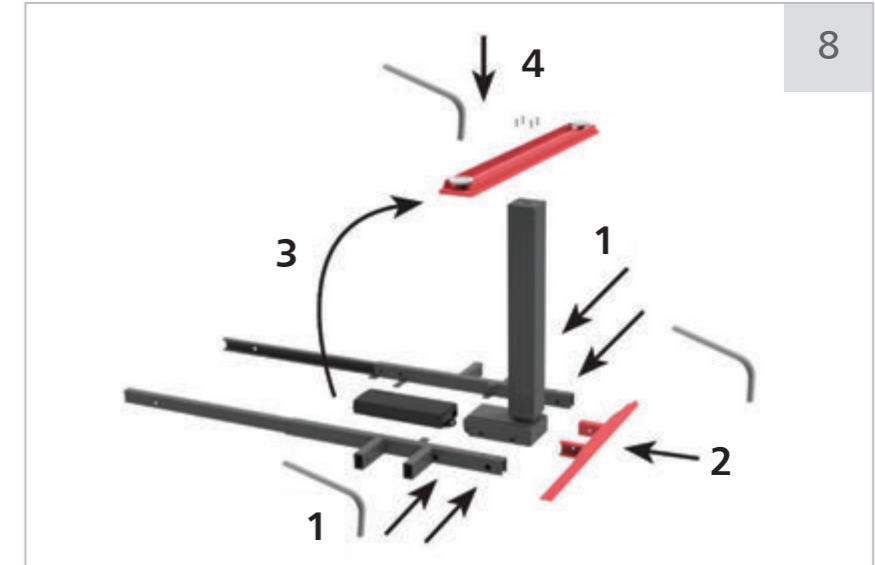
Tailstock: Maximum 6 Nm.

All screws: Maximum 10 Nm.

Make sure all screws including tailstock are tightened, also after a period of use!

RESET THE DESK BEFORE USE

Press both  buttons at the same time for 3 seconds. Continue pressing the buttons until both columns are in lowest position. When finish reset, the control box makes a sound and the buttons can be released. Now the system is operational.



INSTALLATION MANUAL

PACKING LIST

Frame	pcs
Column	4
End pipe	4
Outer pipe	8
Connection pipe	4
Cable clamp	16
Rubber grip	8
Rubber washer	36
Hole cap	8

Control box/ handset	pcs
Control box	2
Handset	2
AC cable, 2000 mm	2
Cable for control box, 1500 mm	2
Cable for control box, 500 mm	2
Cable for handset, 1800 mm	2

Screws	pcs
Screws for rubber grip M6 x 16mm	16
Screws for outer pipe M6 x 16mm	8
Tailstock for con. Pipe M10 x 20mm	16
Screw for desktop Ø5 x 20 mm	28
Screw for handset Ø4 x 25mm	4
Screw for side beam M10 x 12mm	8
Bracket for side beam screw	4


TIGHTENING TORQUE

Tailstock: Maximum 6 Nm.

All screws: Maximum 10 Nm.

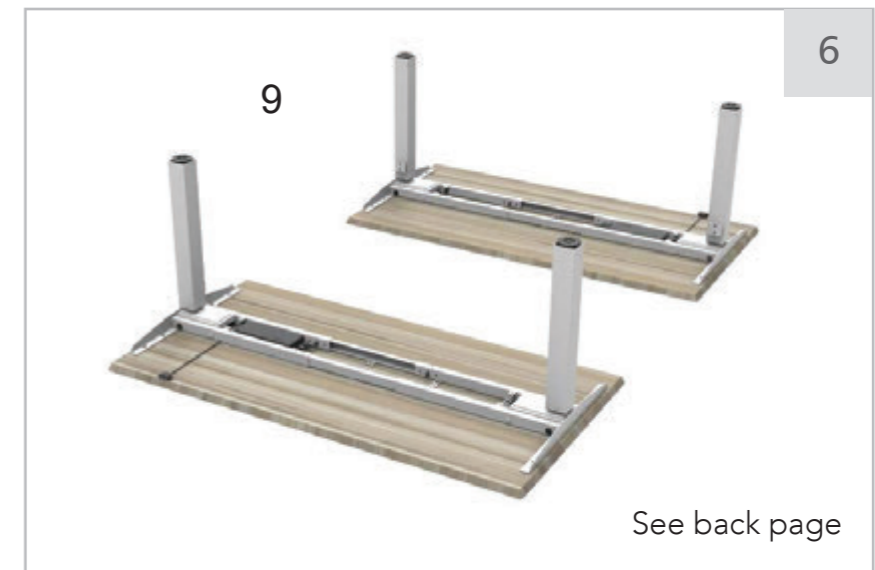
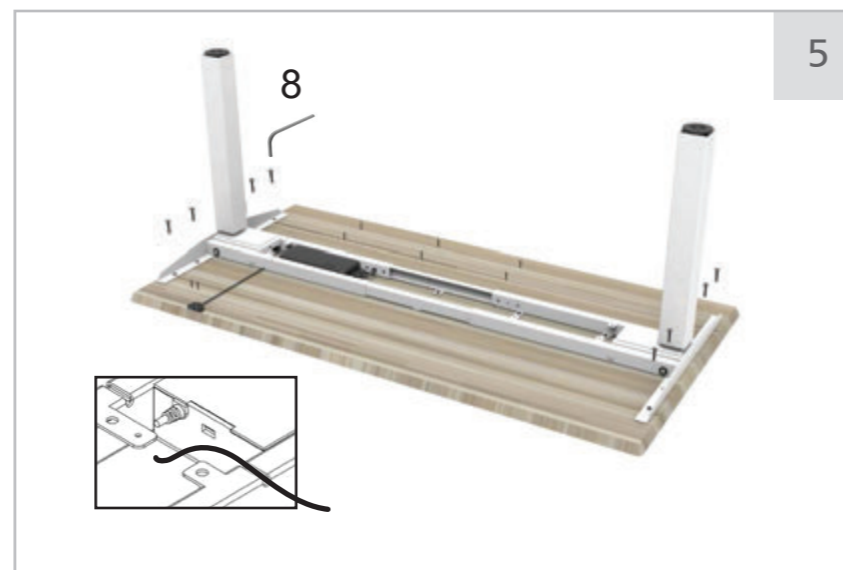
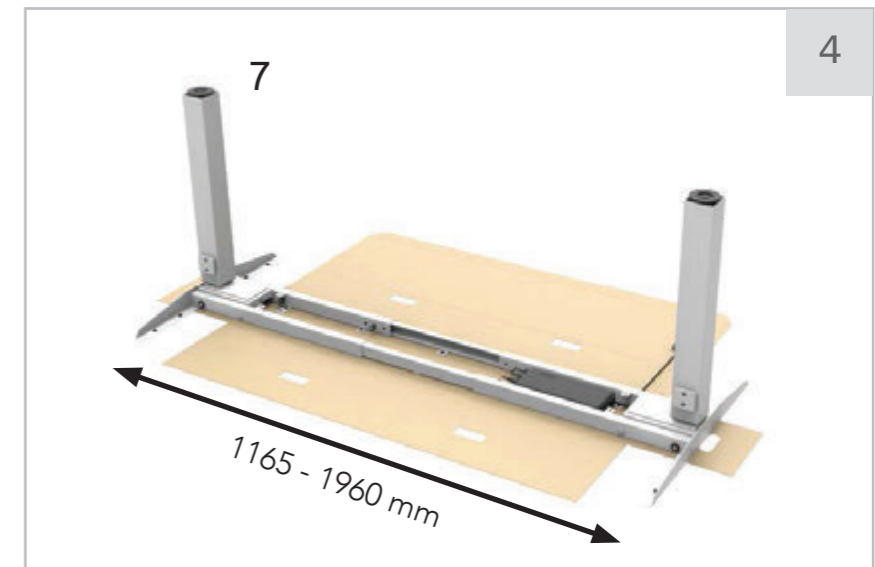
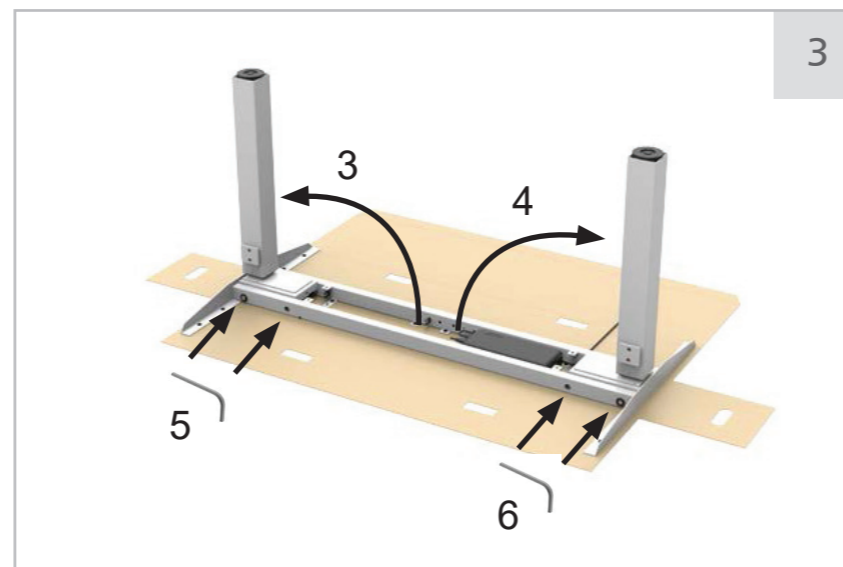
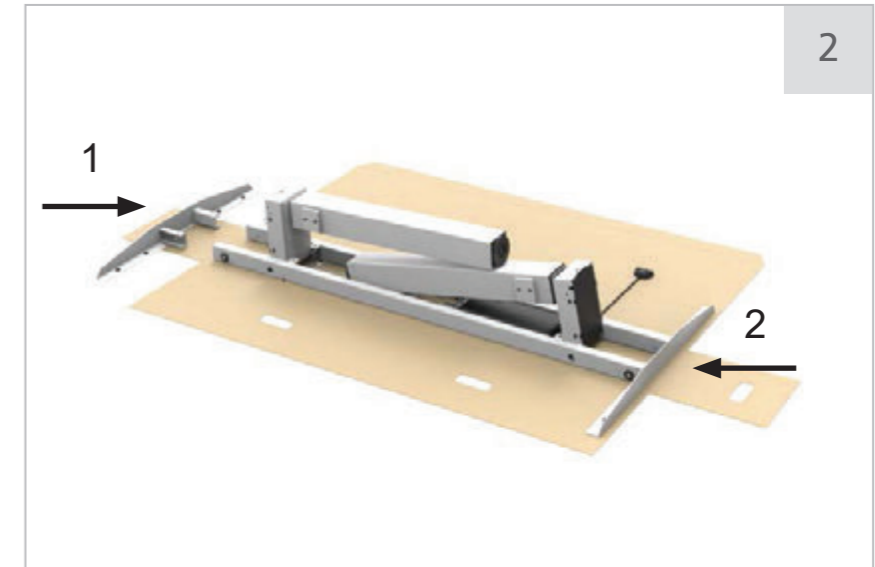
Make sure all screws including tailstock are tightened, also after a period of use!

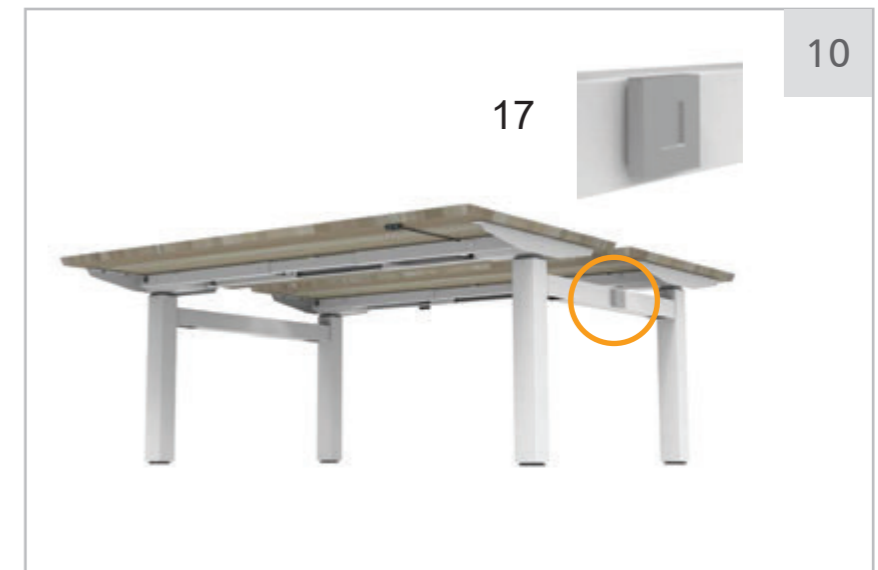
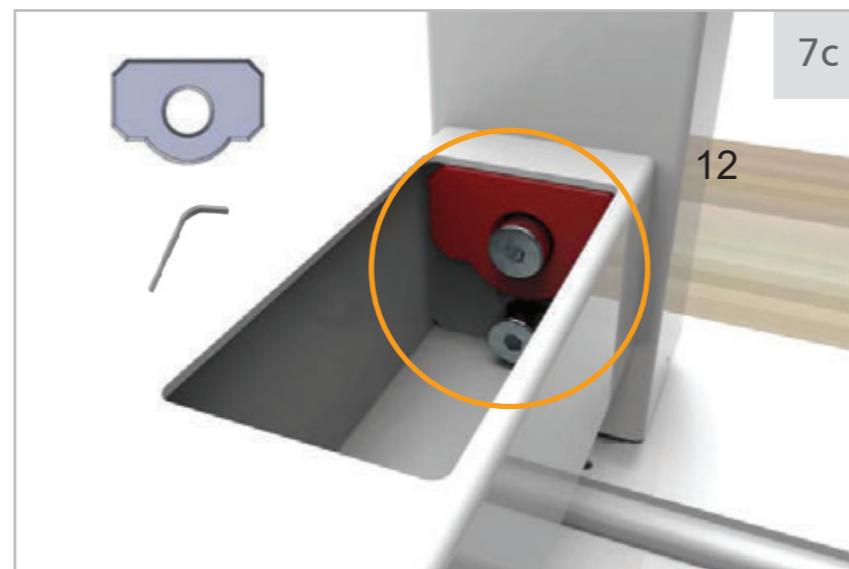
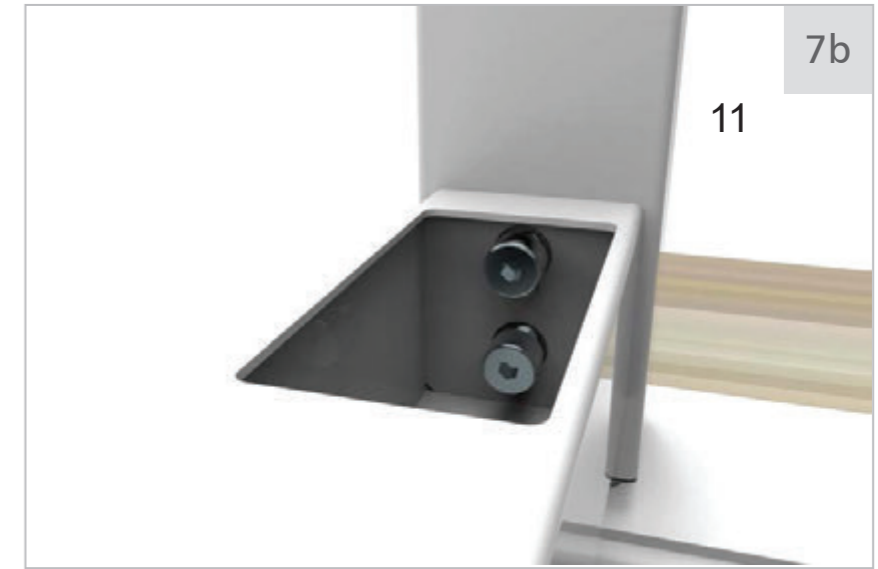
RESET THE DESK BEFORE USE

Press both  buttons at the same time for 3 seconds.

Continue pressing the buttons until both columns are in lowest position. When finish reset, the control box makes a sound and the buttons can be released.

Now the system is operational.







NORMAL OPERATION

- TDH5 is connecting to control box. Press any button. 3-digits display shows current desk height in centimeters.
- Press ▲ or ▼ button to adjust the desk height.
- When no button has been pressed for 10 seconds, display goes off. Press any button to light up the display again.
- When no button has been pressed for 30 seconds, the system goes to <0.1 W standby mode. Long press any button to wake the system up. Display shows desk height again.

RESET

- Press both ▲ and ▼ buttons at the same time for 3 seconds. Continue pressing the buttons until both columns are in lowest position. When finish reset, the control box makes a beep and the buttons can be released.
- When conducting reset, the display shows "000" in last 100mm stroke. When finish reset, the display shows starting height again.
- If releasing ▲ and ▼ buttons before the display shows "000", the desk goes back to normal operation.
- If releasing ▲ and ▼ buttons after the display shows "000", the user has to finish the reset to go back to normal operation.
- Reset is necessary at first operation of the desk.

STARTING HEIGHT



The default starting height is 65cm.

- To adjust the starting height, press ▼ button to go to the lowest position of the desk. At the lowest position, press ▼ button again for 5 seconds, display starts flashing for 10 seconds.
- During the 10 seconds, press ▲ or ▼ buttons to adjust the starting height in centimeters. After 10 seconds, the display stops flashing and the preferred starting height is shown and has been stored.

MEMORIZE POSITION



*TDH5 supports 4 memory positions.
Stored position can only be overwritten, not to be cleared.*

1. Operate the desk to preferred height.
2. Press any of ①②③④ together with ▲ or ▼ for 2 seconds to store the current height. Display shows P1/P2/P3/P4 when the position has been stored.
3. When there is position stored, hold the button ①②③④ until the desk reaches the stored height.